

CE-CPUPM(B)-6 Install Guide

Included Items:

- Universal Pendant Mount Assembly
- #6 x 1" Phillips head Screws x4
- #6 x 3/4" Phillips head Screws x4
- #6 x 5/8" Phillips head Screws x4

Required Items:

- Clinton Electronics Camera Pole
- Phillips head Screwdriver or Drill with Bit
- Two 7/16" Wrenches or Nut Drivers



ATTENTION!

USE ONLY AS DESIGNED

This fixture is designed to mount a camera to a Clinton Electronics camera pole. Consult the camera pole's specification for the maximum load capacity. Use with products heavier than the maximum weights indicated may result in instability causing possible injury.

MOUNTING PLATE IDENTIFICATION

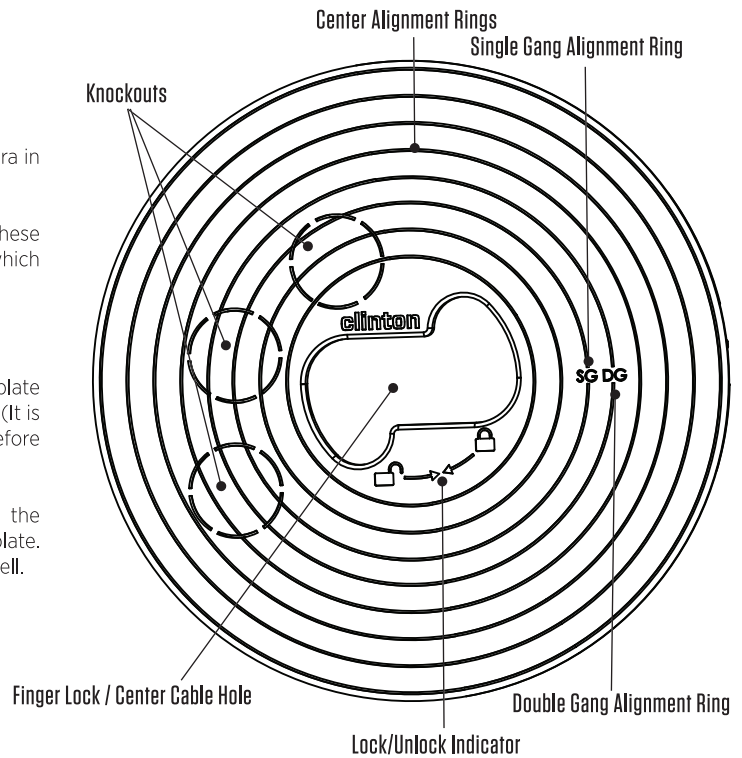
Center Alignment Rings: These concentric rings help mount the camera in the center of the mounting plate.

Single (SG) / Double (DG) Gang Alignment Rings: The diameter of these rings are the same size as Single and Double Gang mounting patterns, which will help to align cameras which use those mounting patterns.

Knockouts: Remove one of these knock outs to route cables through.

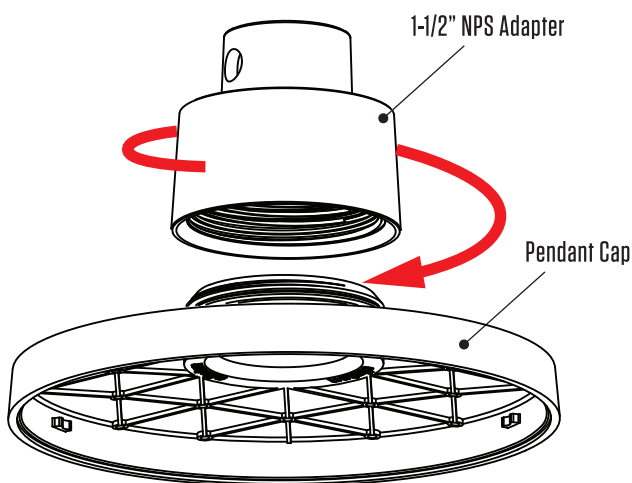
Lock/Unlock Indicator: Shows rotation direction to lock or unlock plate from pendant cap. Clockwise to lock, and Counter-clockwise to unlock. (It is recommended to first install a camera onto the mounting plate before locking the mounting plate into the pendant cap).

Finger Lock / Center Cable Hole: Lock or Unlock the plate from the pendant cap by placing your thumb and index finger here to turn the plate. Cameras with center mounted cables can be run through this hole as well.



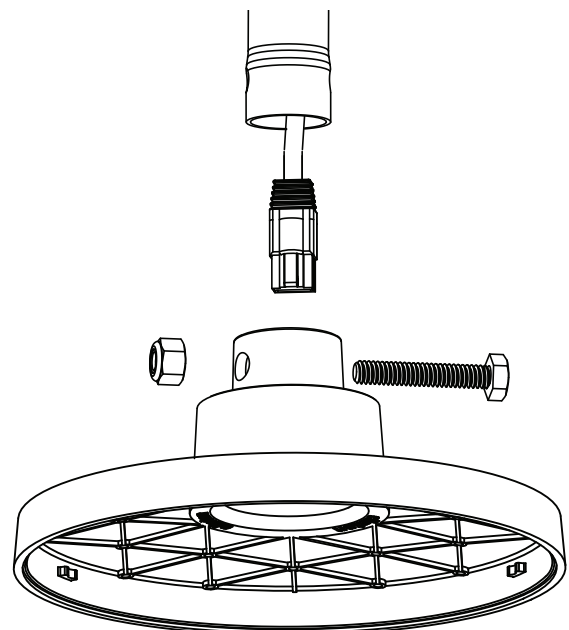
1. PRE-ASSEMBLE

Thread the 1-1/2" NPS adapter onto the threads on the top side of the pendant cap.



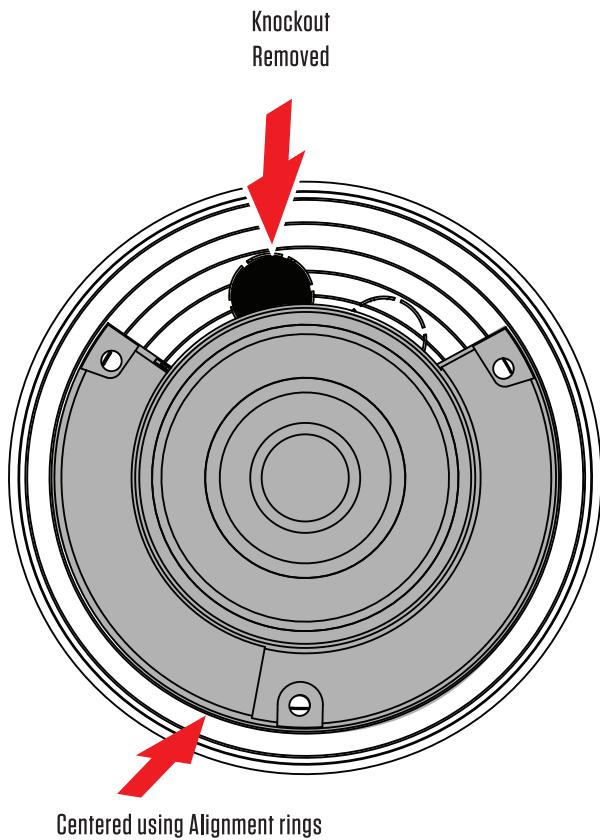
2. CONNECT TO POLE

Run any necessary cables through the camera pole and into the pendant cap assembly. Secure the assembly to the camera pole with the included 1/4-20 hex head bolt and locknut. Tighten using two 7/16" wrenches or nut drivers.



3a. MOUNT CAMERA TO PLATE

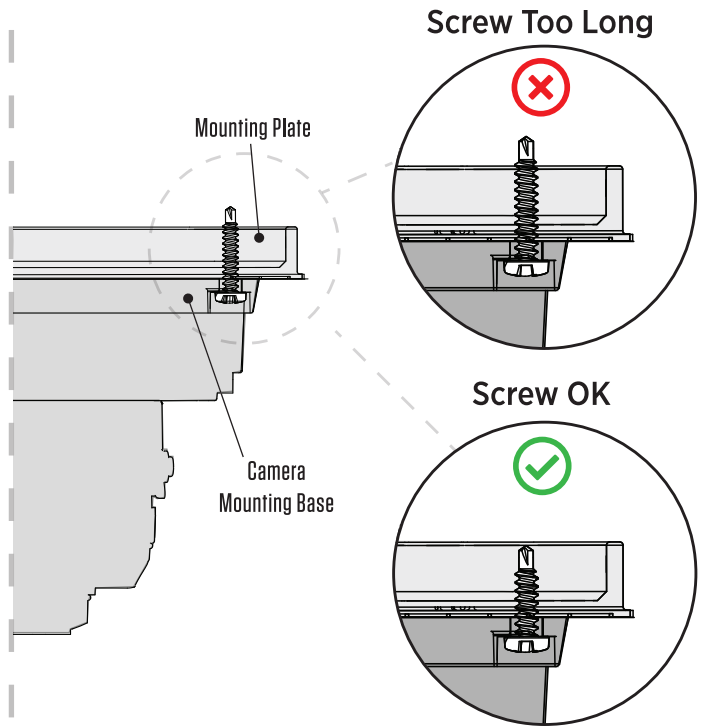
Place your camera onto the mounting plate. Position your camera on the plate and align the cable cutout of your camera to the appropriate knockout. Use the concentric center alignment rings on the surface of the plate to help align the camera in the center of the mounting plate.



3b. MOUNT CAMERA TO PLATE

With a Phillips Screwdriver or power drill with a Phillips head bit, screw the camera to the plate using the included screws.

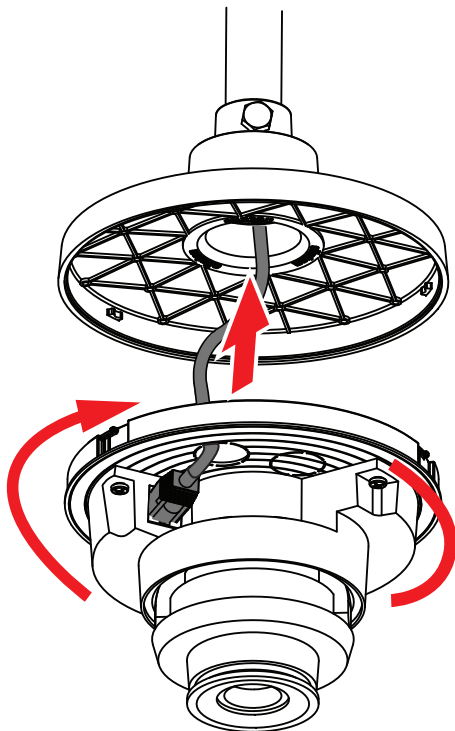
NOTE! Thickness of camera mounting bases are different. Three sets of screws are included; select the shortest length screw to attach the camera to the mounting plate to avoid interference. Screw threads (not the self drilling tip) must be engaged into the Mounting Plate material. If included screws are too long or too short for your camera base, use alternative screws.



4. CONNECT CABLES

Feed cables through center hole or a knockout in the Mounting Plate and connect to the camera. Feed any excess cable into the pole.

Insert the mounting plate into the pendant cap, and rotate clockwise until the plate locks into the pendant cap.



5. ATTACH CAMERA COVER

Attach your camera's cover according to manufacturers directions.

